



# Terraza Vista

Instruction Manual



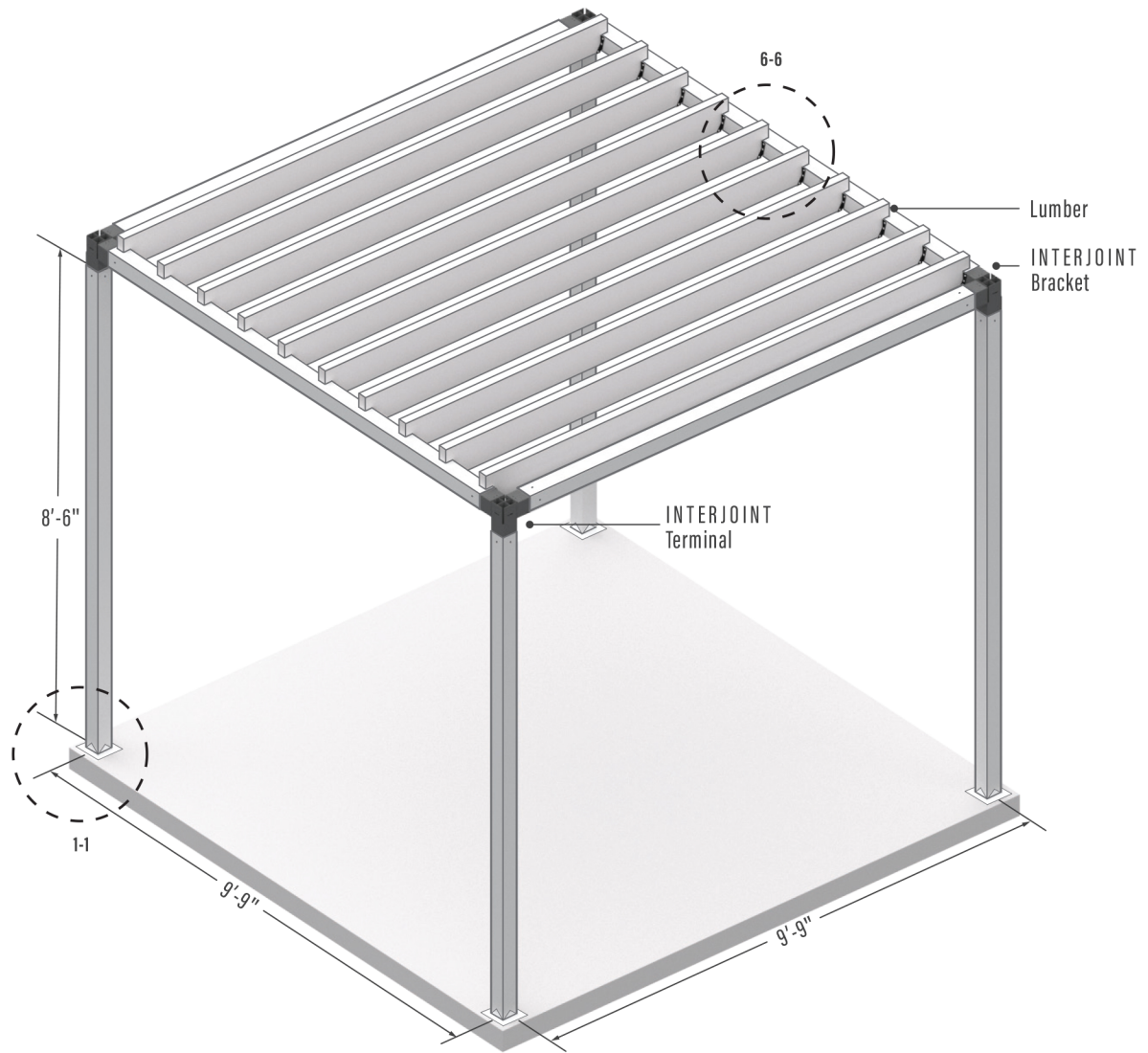
Estimated assembly time **60 MIN**



**BEWARE** of hand injuries during installation



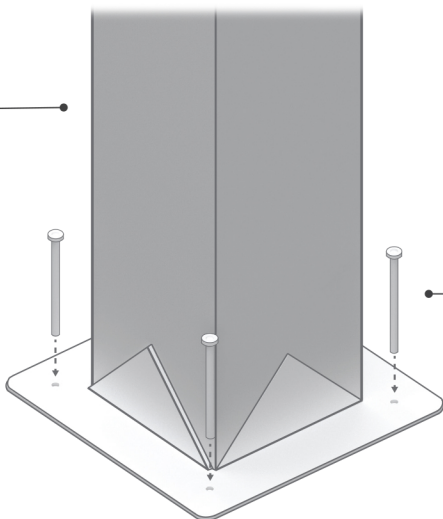
**FOLLOW THE INSTRUCTIONS** provided during installation



## STEP 1: ANCHORING

Anchore the base of the structure.

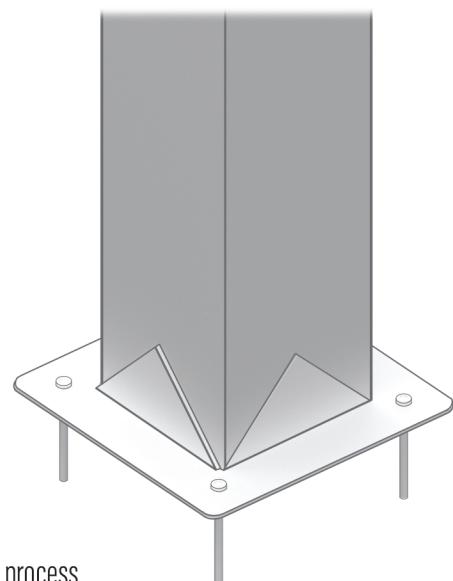
Galv. Steel Tube  
3" x 3"  
Gage 16



1 - 1/2"  
Anchor for  
concrete

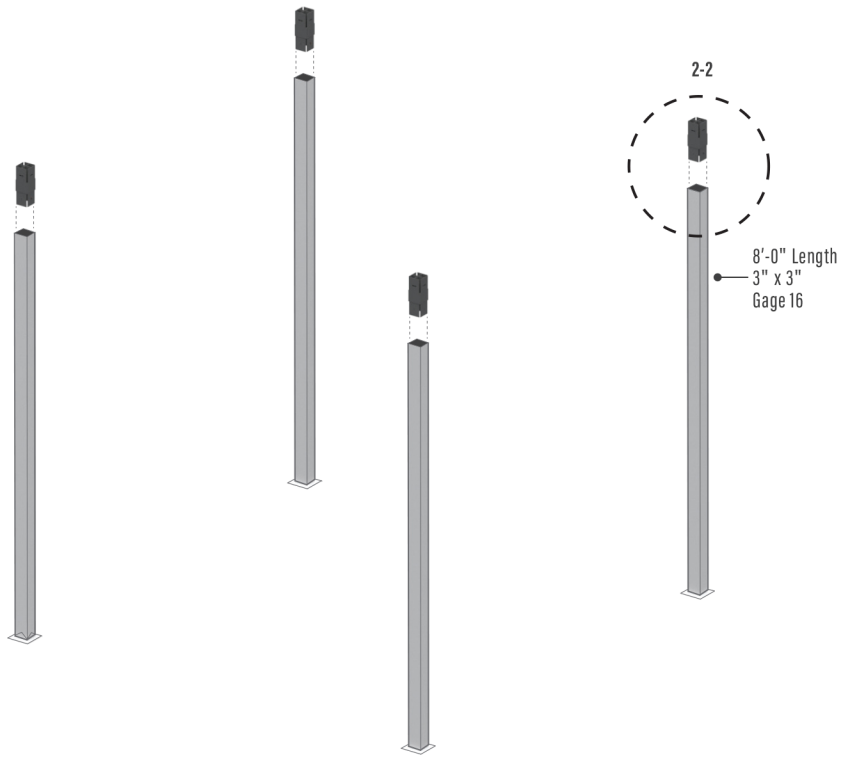
### DETAIL 1-1

NOTE: Beware of being measuring correctly, and leveling and aligning the columns properly.

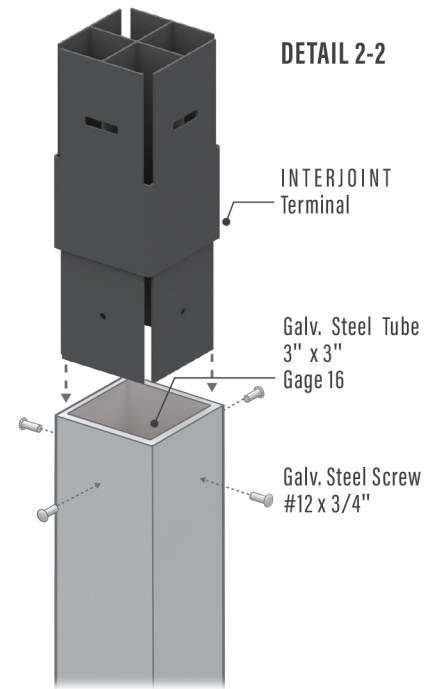


Repeat this process for all four columns.

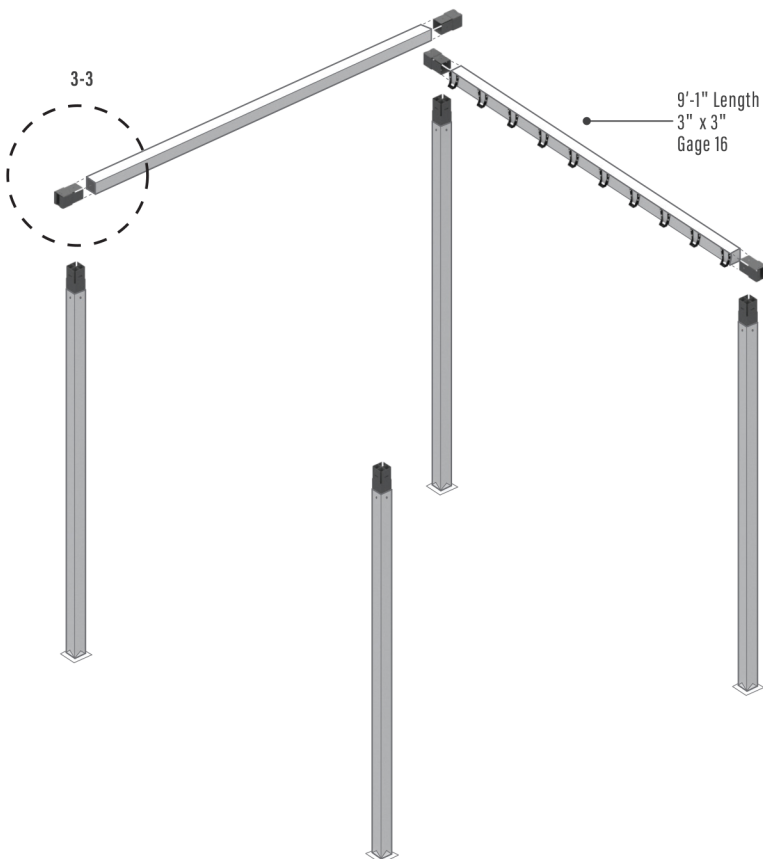
## STEP 2: Terminal Installation



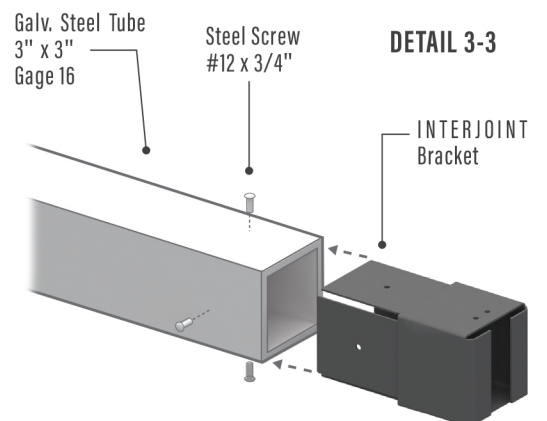
Install the **TERMINALS** on columns.



## STEP 3: Bracket Installation

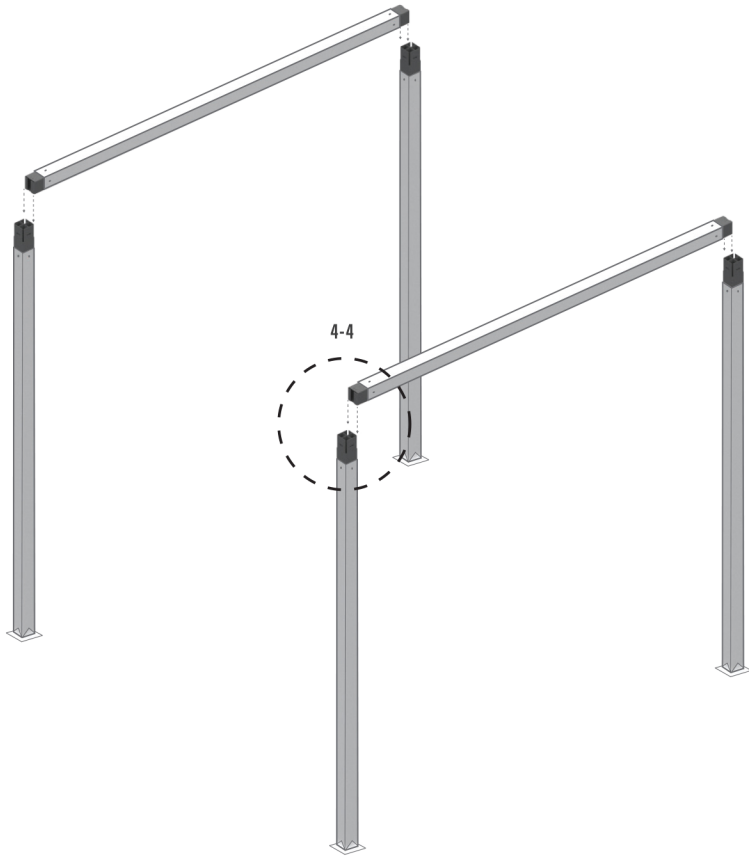


Install the **BRACKETS** on the beams.



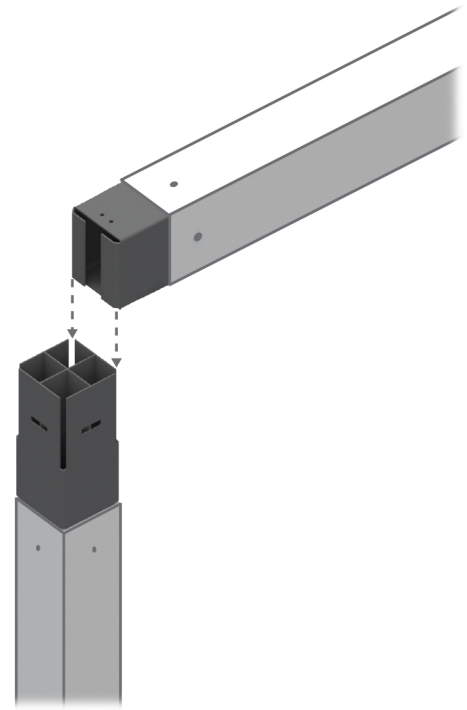
## STEP 4: Beam Assembly

NOTE: Make sure to install the beams with the corresponding pair.



Install the **BRACKETS** to the **TERMINALS**.

DETAIL 4-4



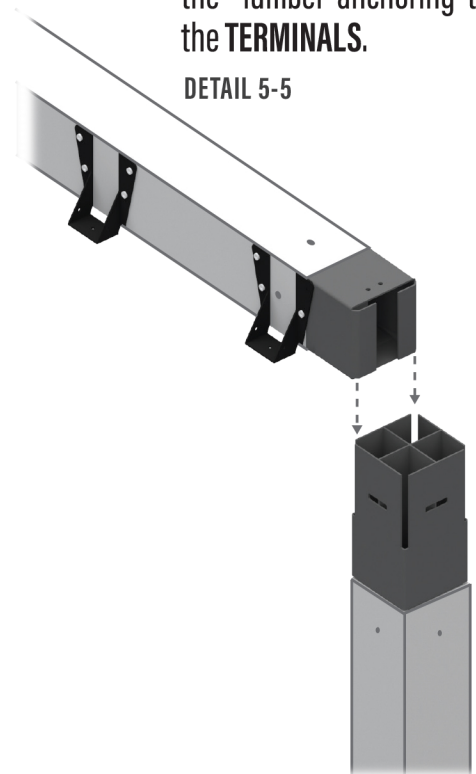
## STEP 5: Beam for Lumber

NOTE: Make sure to install the beams with the corresponding pair.



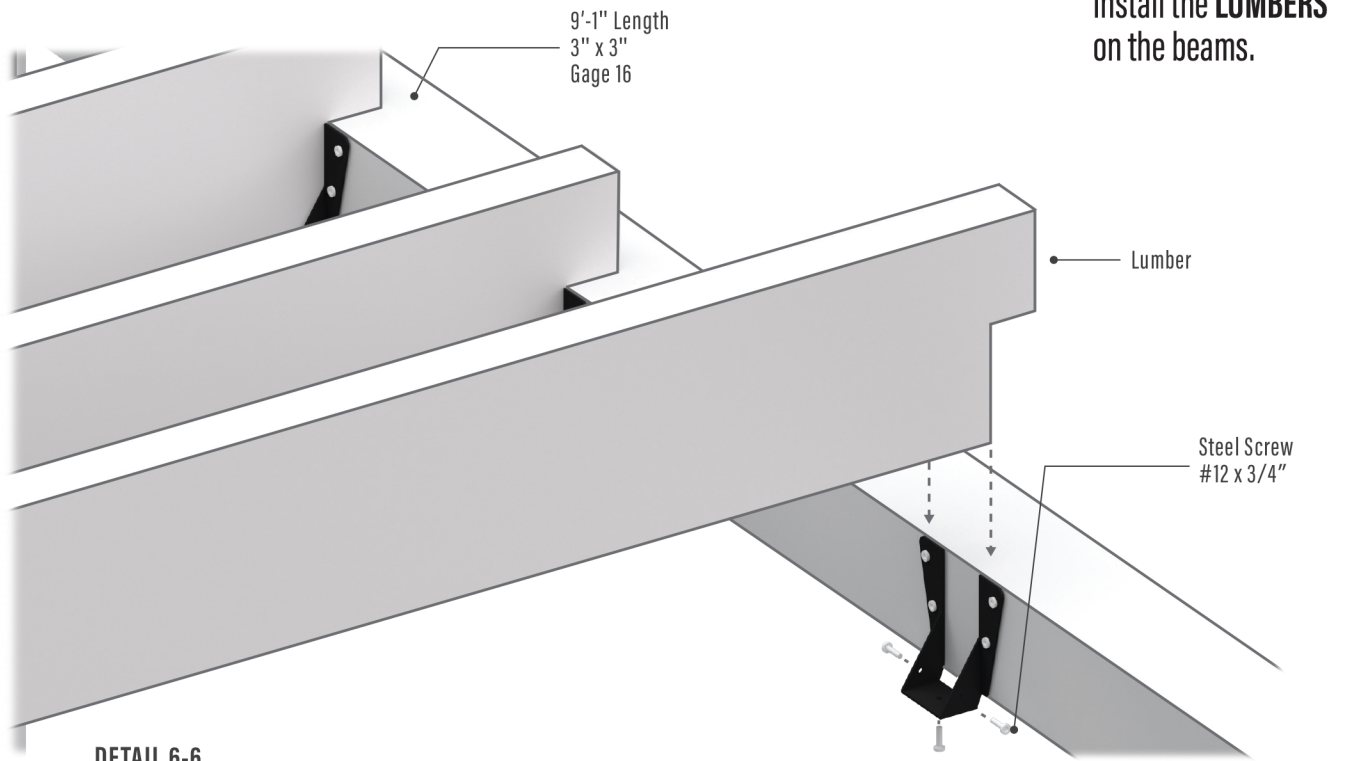
Install the **BRACKETS** with the lumber anchoring to the **TERMINALS**.

DETAIL 5-5

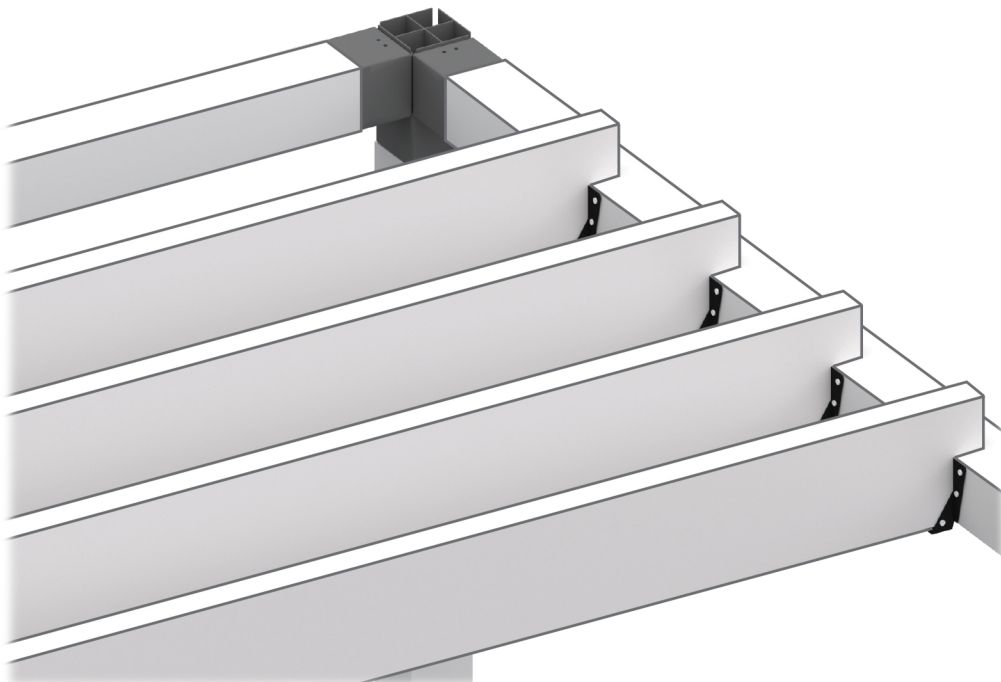




## STEP 6: Lumber Installation



## STEP 6a: Lumber Installed



**ENJOY**  
your new  
Terraza Vista!



**ZERO DAMAGE LLC**



[www.zerodam.com](http://www.zerodam.com)



[info@zerodam.com](mailto:info@zerodam.com)



1-787-322-2317

PATENT PENDING